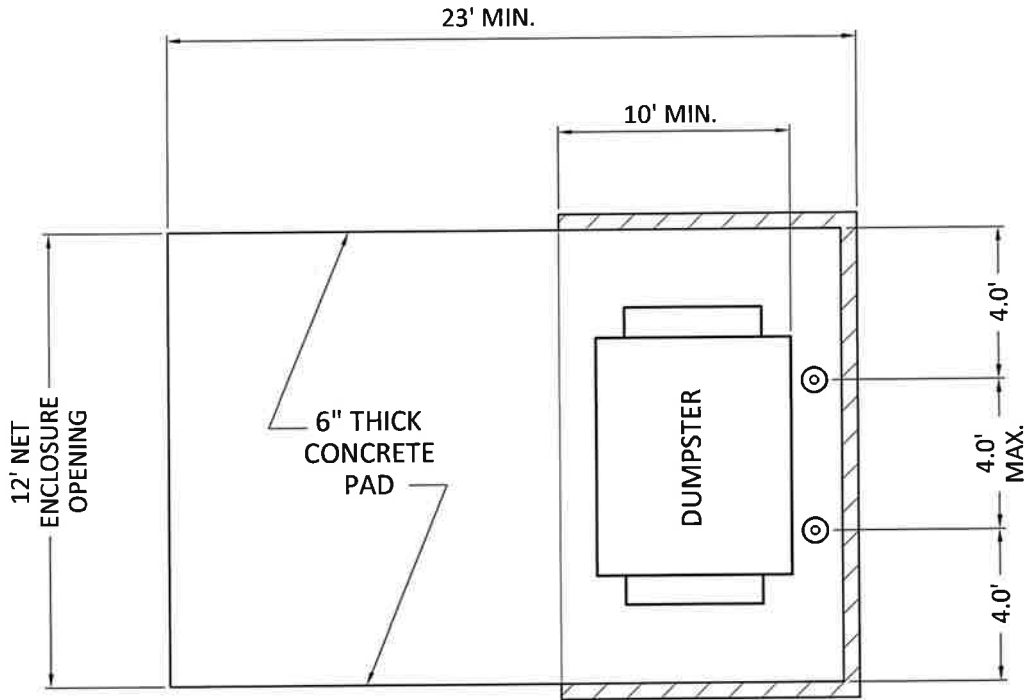


NOTES:

1. INTERIOR CLEARANCE (INSIDE THE SCREEN) DIMENSIONS FOR A:
 - A. SINGLE (3, 4, 6, OR 8-YARD) DUMPSTER ENCLOSURE SHALL BE 10 FEET DEEP X 12 FEET WIDE. THE MINIMUM WIDTH OF THE GATE OR DOORS SHALL BE NO LESS THAN THE ENCLOSURE OPENING, AND THEY SHALL OPEN 180°.

SINGLE - WIDE CONTAINER ENCLOSURE CONFIGURATION



REVISION DATE: 11/28/2023

DATE: 12/01/2023

APPROVED FOR PUBLICATION

DWG. NO.

SINGLE - WIDE CONTAINER ENCLOSURE CONFIGURATION

SW

NOT TO SCALE

001

Brian S. Spindor, PE
Director of Public Works
City of Enumclaw

Date: 12/11/2023

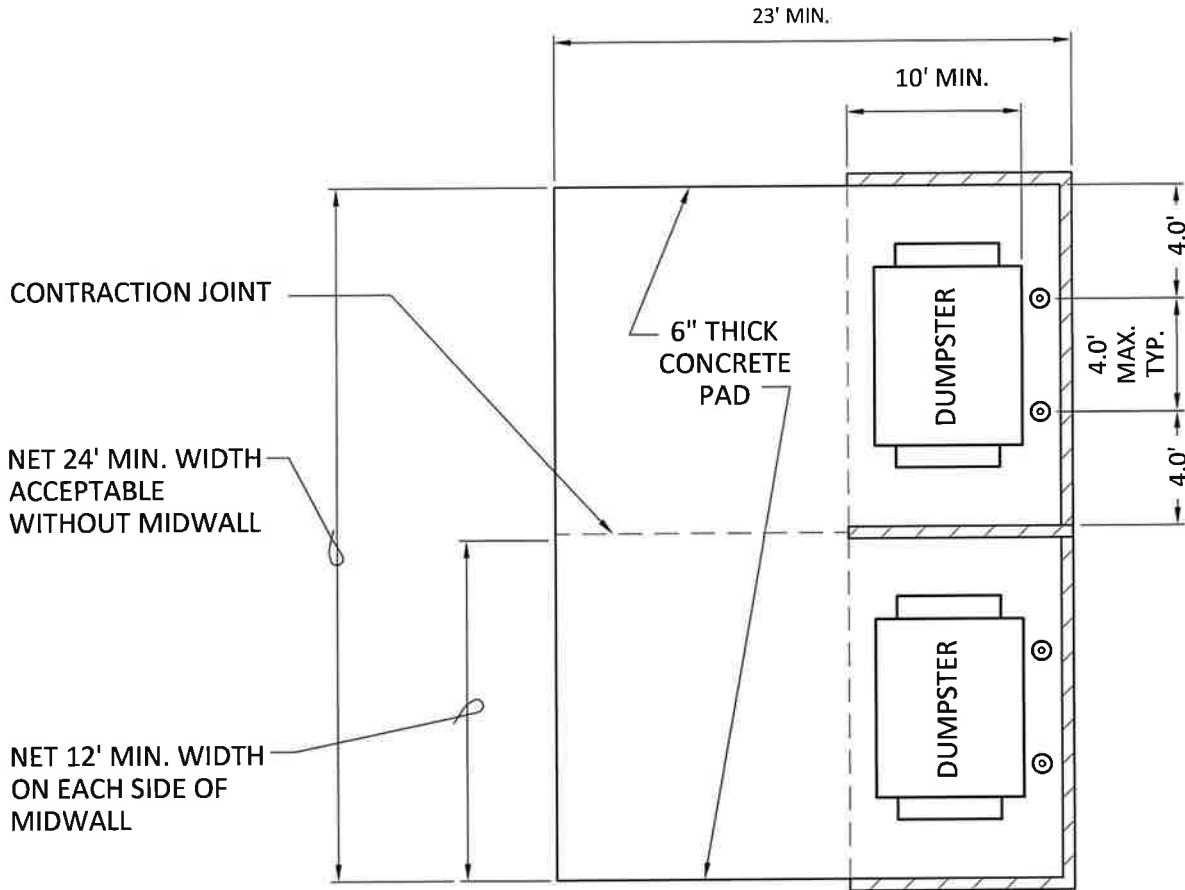


S:\CADD Standards\Details\Civ. Details_Coof\Solid Waste\SW-001.dwg
 Layout Name: Model
 kwhgdm
 Plot Date: Dec 01, 2023 - 1:40pm

NOTES:

B. DOUBLE (TWO 3, 4, 6, OR 8-YARD) DUMPSTER ENCLOSURE SHALL BE NO LESS THAN 10 FEET DEEP X 24 FEET WIDE. THE MINIMUM WIDTH OF THE GATE OR DOORS SHALL BE NO LESS THAN THE ENCLOSURE OPENING, AND THEY SHALL OPEN 180°.

DOUBLE - WIDE CONTAINER ENCLOSURE CONFIGURATION



REVISION DATE: 11/28/2023

DATE: 12/01/2023

APPROVED FOR PUBLICATION

Brian S. Spindor, PE
 Director of Public Works
 City of Enumclaw

Date: 12/1/2023



DOUBLE - WIDE CONTAINER ENCLOSURE CONFIGURATION

NOT TO SCALE

DWG. NO.

SW

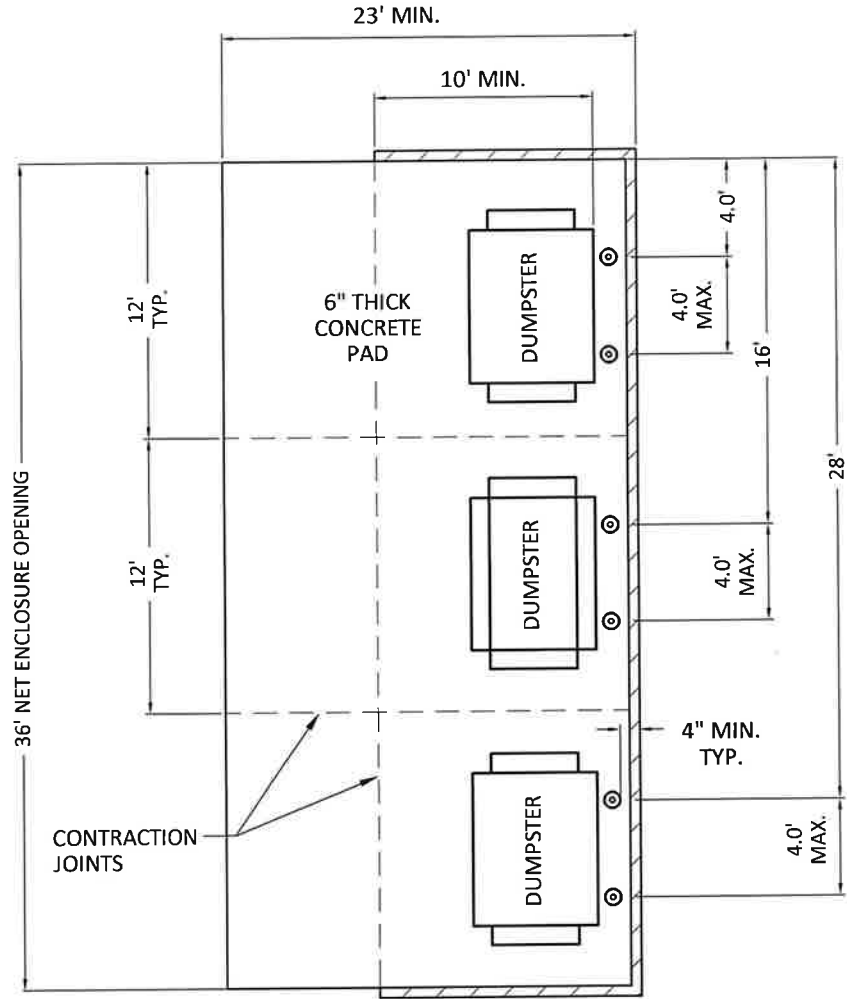
002

S:\2023\Station\Details\City Details\Conf\Solid Works\SW-002.dwg Layout Name: Model
 12/1/2023 1:42pm

NOTES:

C. TRIPLE (TWO 3, 4, 6, OR 8-YARD) DUMPSTER ENCLOSURE SHALL BE 10 FEET DEEP X 36 FEET WIDE.
 THE MINIMUM WIDTH OF THE GATE OR DOORS SHALL BE NO LESS THAN THE ENCLOSURE OPENING, AND THEY SHALL OPEN 180°.

TRIPLE - WIDE CONTAINER ENCLOSURE CONFIGURATION



REVISION DATE: 11/28/2023

DATE: 12/01/2023

APPROVED FOR PUBLICATION

[Signature]
 Brian S. Spindor, PE
 Director of Public Works
 City of Enumclaw
 Date: 12/1/2023



TRIPLE - WIDE CONTAINER ENCLOSURE CONFIGURATION

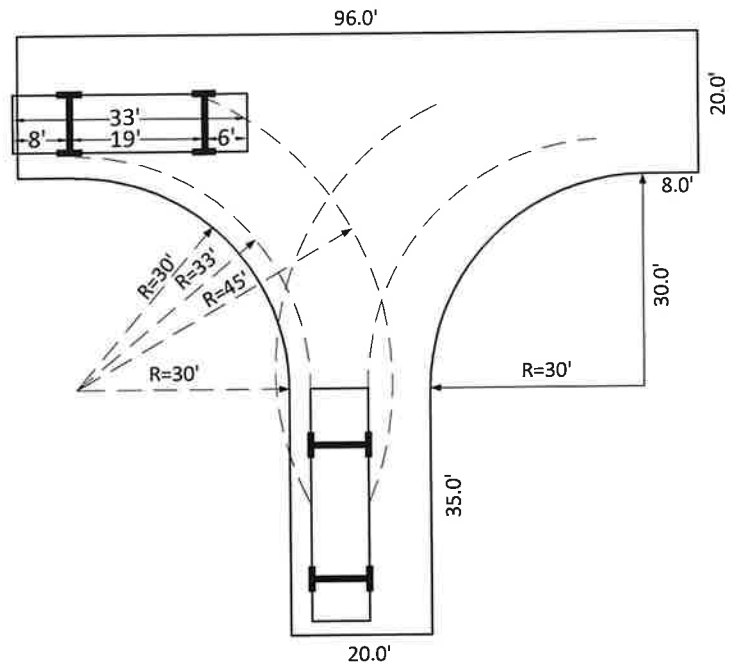
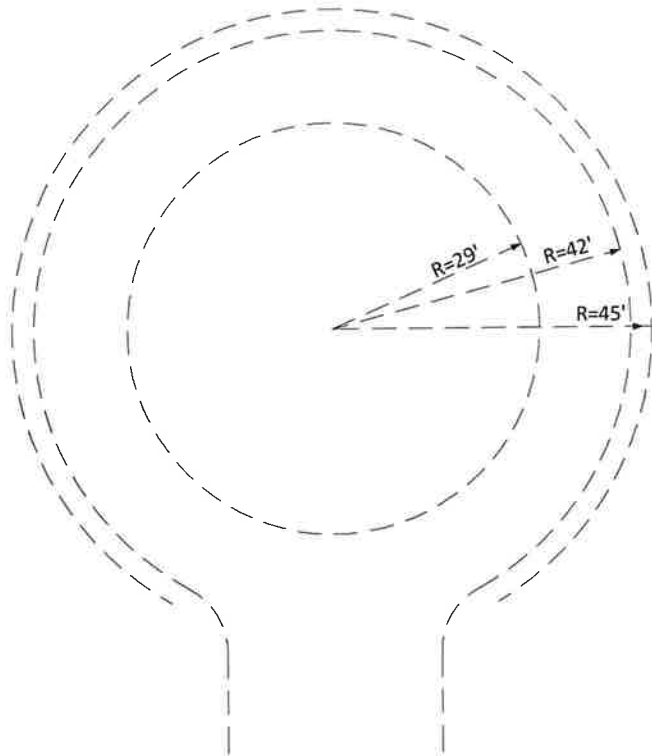
NOT TO SCALE

DWG. NO.

SW

003

(g.) PAD SHALL BE LEVEL WITH ROADWAY OR SLOPE TO ROADWAY FOR EASY ACCESS BY COLLECTION VEHICLES. ALL ACCESS AREAS SHALL BE A MINIMUM UNOBSTRUCTED WIDTH OF 20 FEET, 65 FEET IN LENGTH AND 16 FEET IN HEIGHT. OUTSIDE TURNING RADII IN THESE AREAS SHALL BE A MINIMUM OF 45 FEET. AT NO TIME SHALL A COLLECTION VEHICLE BE REQUIRED TO BACK WHILE TURNING OR MORE THAN 50 FEET WHILE ON THE PROPERTY OR BE REQUIRED TO BACK OUT INTO OR IN FROM A PUBLIC RIGHT-OF-WAY. IN SUCH CASES, A TEE OR CIRCLE TURNAROUND THAT MEETS THE MINIMUM STANDARDS, AS SHOWN BELOW, WILL BE REQUIRED.



IN ALL CASES, APPROACH DESIGN SHOULD FACILITATE A LOOPING OR CIRCLE INGRESS/EGRESS PATH THAT AVOIDS NECESSITY OF COLLECTION VEHICLE HAVING TO CONDUCT BACKING MANEUVERS AS MUCH AS POSSIBLE. SCREENS MAY BE CONSTRUCTED OF STONE, MASONRY BLOCK; WOOD OR CHAIN LINK FENCING WITH SLATES AND SHALL BE CONSTRUCTED SO AS TO SCREEN VIEWING BY PERSONS STANDING AT GROUND LEVEL ON THE SITE, OR AN IMMEDIATELY ADJOINING PROPERTY.



REVISION DATE: 11/28/2023

DATE: 12/01/2023

APPROVED FOR PUBLICATION

Brian S. Spindor, PE
 Director of Public Works
 City of Enumclaw

Date: 12/1/2023



**TURNING RADII FOR TEE OR
 CIRCLE TURNAROUNDS**

NOT TO SCALE

DWG. NO.

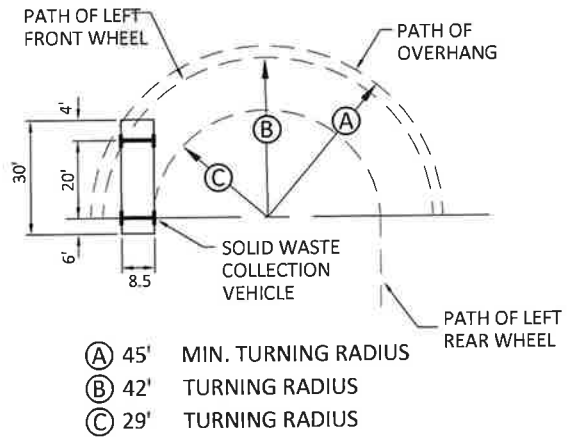
SW

004

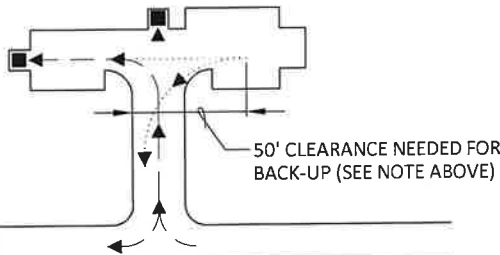
S:\CADD Standard\Details\City Details\Col\Solid Waste\SW-001.dwg - Layout - Roms - Modif
 kwhlbrn
 Plotted: Dec 01, 2023 - 1:43pm

SAFETY NOTE:
 BACKING UP MORE THAN 50' AFTER SERVICE TO A SOLID WASTE BIN IS PROHIBITED. THE 50' IS MEASURED FROM THE BACK OF THE SOLID WASTE COLLECTION VEHICLE. MAKE SURE THE AREA HAS THE PROPER TURNING RADIUS AND ACCESS AREA TO LEAVE SITE. THE VEHICLE IS APPROX. 36' LONG. SOLID WASTE COLLECTION VEHICLES WILL NOT TURN WHILE BACKING

PLEASE NOTE:
 SOLID WASTE VEHICLES WEIGH APPROX. 33 TONS WHEN FULL. DRIVEWAYS MUST BE BUILT TO SUPPORT THIS WEIGHT WITHOUT DAMAGE TO DRIVE.



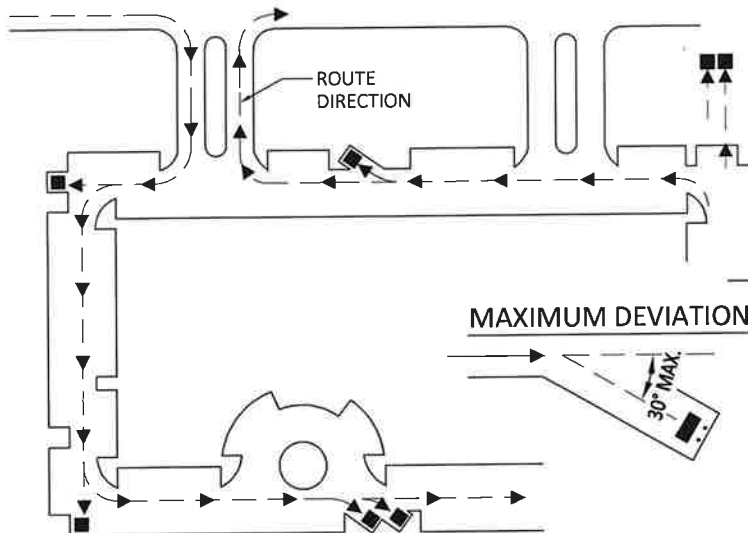
HAMMER HEAD DRIVE



CLEARANCE REQUIREMENTS

- NOTES:**
1. ALL CURBS ARE TO BE ALIGNED ON THE OUTSIDE OF ENCLOSURE WALLS. THE CURBS SHALL NOT INTERFERE WITH THE ROUTE OF THE SOLID WASTE COLLECTION VEHICLE.
 2. IN GENERAL TERMS, ALL SOLID WASTE COLLECTION ROUTES SHALL MEET ENGINEERING DESIGN CRITERIA (STEER WIDTHS, TURNING RADII) IN A MANNER THAT ALLOWS SOLID WASTE COLLECTION VEHICLES ACCESS TO DUMPSTER ENCLOSURES. SITES SHALL BE DESIGNED SO COLLECTION VEHICLES CAN SAFELY (GROUND LEVEL AND AERIAL OBSTRUCTIONS).
 3. FOR THE SAFETY OF OTHERS, SOLID WASTE COLLECTION VEHICLES WILL NOT BACK UP INTO A PUBLIC ROADWAY OR MORE THAN 50 FEET AFTER SERVICING A DUMPSTER AND WILL NOT MAKE ANY TURNS WHILE BACKING.
 4. NO AWNINGS OR BUILDING PROJECTIONS ALLOWED IN SOLID WASTE COLLECTION VEHICLE ROUTES. MIN. OVERHEAD CLEARANCE OF 14' IS REQUIRED IN DRIVE AND 25' OVER DUMPSTER ENCLOSURE AREA FROM STEEL BOLLARD POSTS BACK 65'.
 5. ROUTES SHALL BE CLEAR OF ALL OBSTRUCTIONS (CURBS, WALLS OVERHEAD WIRES, AND AWNINGS) TO PREVENT DAMAGE FROM THE COLLECTION VEHICLE.
 6. TAKE NOTE OF THE SOLID WASTE COLLECTION ROUTE. THE COLLECTION VEHICLE SHALL TRAVEL THROUGH A SITE ONCE WITHOUT BACKTRACKING.
 7. DUMPSTER ENCLOSURES ARE TO BE ANGLED NO MORE THAN 30 DEGREES FROM THE CENTER LINE OF THE SOLID WASTE COLLECTION VEHICLE ROUTE.
 8. DUMPSTER ENCLOSURES SHALL BE LOCATED AWAY FROM ENTRANCES AND EXITS SO SOLID WASTE COLLECTION VEHICLE DOES NOT CREATE A SAFETY HAZARD BY BLOCKING IN-COMING OR OUT-GOING TRAFFIC.
 9. STANDARDS FOR SINGLE, DOUBLE, AND TRIPLE DUMPSTER ENCLOSURES ARE ADDRESSED ON PAGES 2 & 3.

PUBLIC ROADWAY



A TYPICAL SOLID WASTE COLLECTION ROUTE

(h.) DIMENSIONS FOR MANEUVERING, THE MAXIMUM DEVIATION FROM THE ACCESS PATH TO THE ENCLOSURE SHALL BE 30°, A CLEAR MANEUVERING AREA OF UP TO 65 FEET IN FRONT OF THE CONTAINER WILL BE REQUIRED. NO PARKING WILL BE ALLOWED IN THE MANEUVERING AREA.

(i.) WHENEVER, IN THE OPINION OF THE SOLID WASTE MANAGER OF DESIGNEE, A DUMPSTER AND/OR THE SCREEN CANNOT BE LOCATED UPON A PARTICULAR SITE SO AS TO CONFORM WITH THESE REQUIREMENTS, OR THERE ARE SPECIAL CIRCUMSTANCES WITH MAKE THE REQUIREMENTS WHOLLY IMPRACTICABLE, THE SOLID WASTE MANAGER OR DESIGNEE MAY DESIGNATE A LOCATION FOR THE DUMPSTER WHICH IN HIS DISCRETION IS THE MOST ACCESSIBLE AND AESTHETICALLY APPROPRIATE OR MAKE EXEMPTIONS FROM THE REQUIREMENTS AS NECESSARY.



REVISION DATE: 11/28/2023

DATE: 12/01/2023

APPROVED FOR PUBLICATION

COLLECTION ROUTE CLEARANCE REQUIREMENTS

DWG. NO.

SW

NOT TO SCALE

005

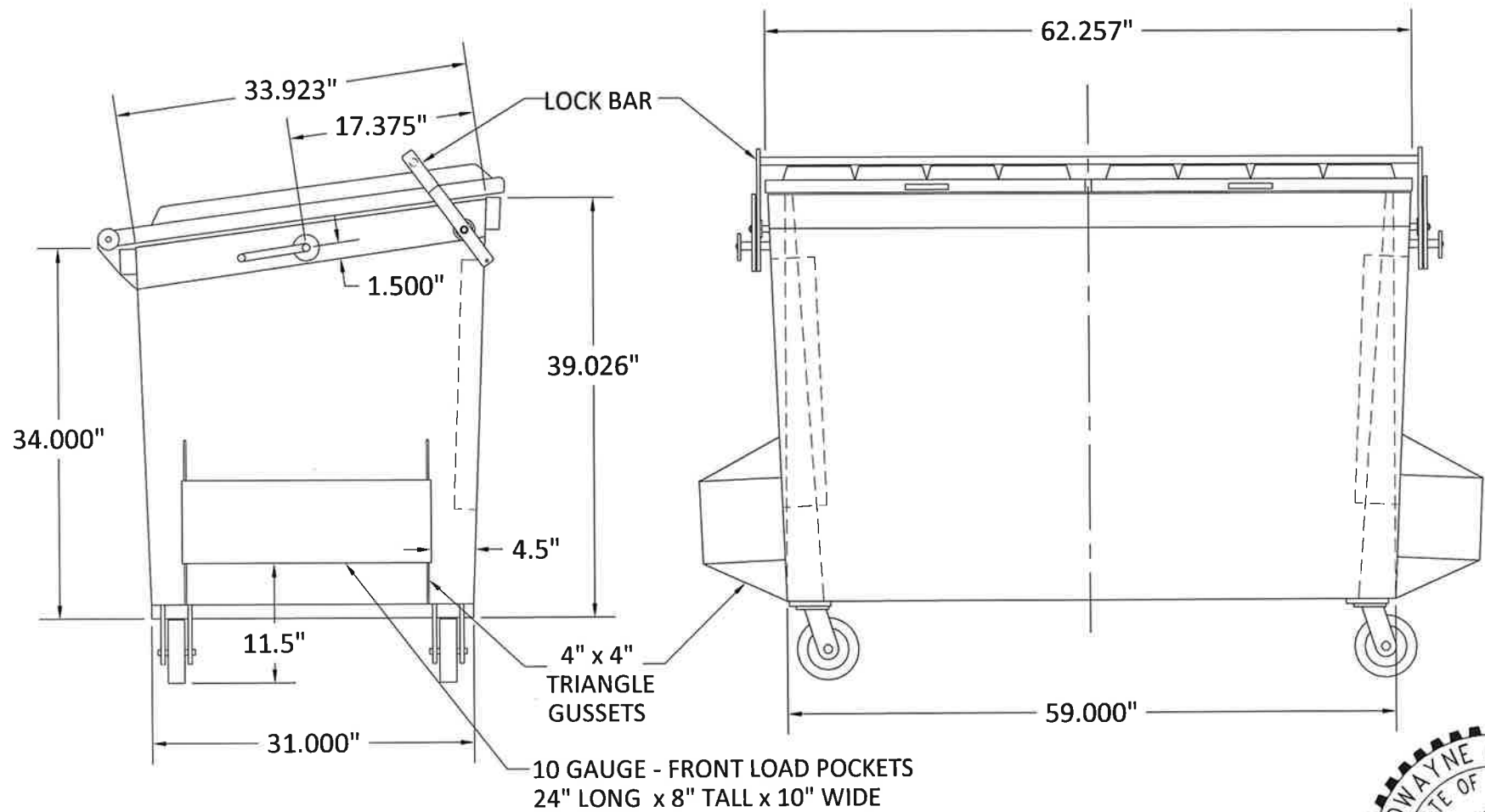
Brian S. Spindor, PE
 Director of Public Works
 City of Enumclaw

Date: 12/1/2023



S:\CAD\Standard\Detail\City Details\DWG\Solid Waste\SW-005.dwg
 Layout Name: Model
 12/1/2023 1:43pm

S:\CAD Standards\Details\Cad\Solid works\SW-006_DUMPSTER DETAIL.dwg Layout Name: Model
lwhalen
Photo: Dec 01, 2023 - 1:47pm



REVISION DATE: 11/28/2023

DATE: 12/01/2023

APPROVED FOR PUBLICATION

Brian S. Spindor, PE
Director of Public Works
City of Enumclaw

Date: 12/1/2023



1.5 YD. DUMPSTER DETAIL
NOT TO SCALE

DWG. NO.

SW

006